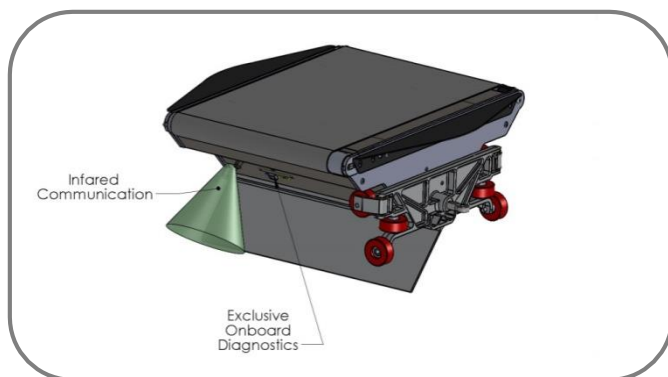
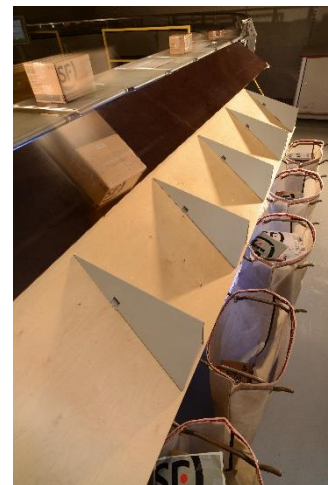




Cross Belt:

Mantissa's Cross Belt is an independent, electrically controlled divert mechanism used to accurately discharge a wide range of products from the sorter. It is the latest sorting technology in the Scorpion® suite of products and is fully interchangeable with existing Scorpion systems. The Cross Belt's adaptable divert algorithms are independent of the sortation speed, thus allowing greater flexibility for our customer's immediate and future requirements.



Cross Belt Strengths

- Handles Items with high coefficient of friction
- Simple design = Less moving parts to wear
- Extremely energy efficient technology
- Low Product Life Cycle cost
- Vertical "Fin" design superior in strength & function
- Low Voltage 48VDC

For more information on this product contact Mantissa Corporation

Sortation Simplified™

616 Pressley Road • Charlotte, NC 28217 • Tel: (704) 525-1749 • Fax: (704) 525-6129

www.MantissaCorporation.com